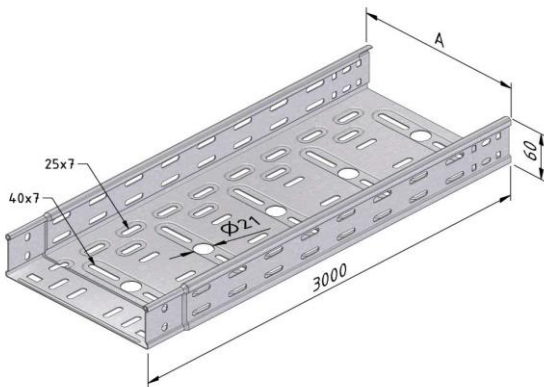


## Technical specifications

### CTI60 (Cable Tray Interlocking ends)



Finishing:		Ultra galva						
Product	Number	Height (mm)	Width (mm)	Length (mm)	Dim A (mm)	Fmax (kN)	Unit	Packaging (unit)
CTI60-500-10-3UG	19399	60	500	3000	500		M	3
CTI60-600-10-3UG	19400	60	600	3000	600		M	3

Finishing:		Pre-galvanized						
Product	Number	Height (mm)	Width (mm)	Length (mm)	Dim A (mm)	Fmax (kN)	Unit	Packaging (unit)
CTI60-050-07-3PG	10926	60	50	3000	50		M	3
CTI60-075-07-3PG	10909	60	75	3000	75		M	3
CTI60-075-10-3PG	10137	60	75	3000	75		M	3
CTI60-100-07-3PG	10910	60	100	3000	100		M	3
CTI60-100-10-3PG	10138	60	100	3000	100		M	3
CTI60-150-07-3PG	11513	60	150	3000	150		M	3
CTI60-150-10-3PG	10139	60	150	3000	150		M	3
CTI60-200-07-3PG	10911	60	200	3000	200		M	3
CTI60-200-10-3PG	10140	60	200	3000	200		M	3
CTI60-300-07-3PG	10912	60	300	3000	300		M	3
CTI60-300-10-3PG	10141	60	300	3000	300		M	3
CTI60-300-12-3PG	14513	60	300	3000	300		M	3
CTI60-400-10-3PG	10131	60	400	3000	400		M	3
CTI60-400-12-3PG	14903	60	400	3000	400		M	3
CTI60-500-10-3PG	13331	60	500	3000	500		M	3
CTI60-500-12-3PG	14904	60	500	3000	500		M	3
CTI60-600-10-3PG	13268	60	600	3000	600		M	3
CTI60-600-12-3PG	14623	60	600	3000	600		M	3

Finishing:		Dipped galvanized						
Product	Number	Height (mm)	Width (mm)	Length (mm)	Dim A (mm)	Fmax (kN)	Unit	Packaging (unit)
CTI60-050-07-3DG	10932	60	50	3000	50		M	3
CTI60-075-07-3DG	10943	60	75	3000	75		M	3
CTI60-075-10-3DG	10459	60	75	3000	75		M	3
CTI60-100-07-3DG	10944	60	100	3000	100		M	3
CTI60-100-10-3DG	10460	60	100	3000	100		M	3
CTI60-150-07-3DG	11514	60	150	3000	150		M	3

CTI60-150-10-3DG	10461	60	150	3000	150	M	3
CTI60-200-07-3DG	10945	60	200	3000	200	M	3
CTI60-200-10-3DG	10462	60	200	3000	200	M	3
CTI60-300-07-3DG	10946	60	300	3000	300	M	3
CTI60-300-10-3DG	10463	60	300	3000	300	M	3
CTI60-300-12-3DG	14905	60	300	3000	300	M	3
CTI60-400-10-3DG	10453	60	400	3000	400	M	3
CTI60-400-12-3DG	14906	60	400	3000	400	M	3
CTI60-500-10-3DG	13460	60	500	3000	500	M	3
CTI60-500-12-3DG	14907	60	500	3000	500	M	3
CTI60-600-10-3DG	13474	60	600	3000	600	M	3
CTI60-600-12-3DG	14908	60	600	3000	600	M	3

Finishing:		Coated						
Product	Number	Height (mm)	Width (mm)	Length (mm)	Dim A (mm)	Fmax (kN)	Unit	Packaging (unit)
CTI60-050-07-3CO	10938	60	50	3000	50	M	3	
CTI60-075-07-3CO	10947	60	75	3000	75	M	3	
CTI60-075-10-3CO	10787	60	75	3000	75	M	3	
CTI60-100-07-3CO	10948	60	100	3000	100	M	3	
CTI60-100-10-3CO	10788	60	100	3000	100	M	3	
CTI60-150-07-3CO	11515	60	150	3000	150	M	3	
CTI60-150-10-3CO	10789	60	150	3000	150	M	3	
CTI60-200-07-3CO	10949	60	200	3000	200	M	3	
CTI60-200-10-3CO	10790	60	200	3000	200	M	3	
CTI60-300-07-3CO	10950	60	300	3000	300	M	3	
CTI60-300-10-3CO	10791	60	300	3000	300	M	3	
CTI60-300-12-3CO	14909	60	300	3000	300	M	3	
CTI60-400-10-3CO	10781	60	400	3000	400	M	3	
CTI60-400-12-3CO	14910	60	400	3000	400	M	3	
CTI60-500-10-3CO	13472	60	500	3000	500	M	3	
CTI60-500-12-3CO	14911	60	500	3000	500	M	3	
CTI60-600-10-3CO	13473	60	600	3000	600	M	3	
CTI60-600-12-3CO	14912	60	600	3000	600	M	3	

Mounting instructions:

-

Load capacity:

Standard: -

Max. load: -

Load diagram: -

Information:

Coupler: BN06-10

Equipotential bonding: IEC61537

EC declaration: EC directive 2014/35/EU (Low voltage) as modified by directive 93/68/EEC (CE marking)

UG

#### ULTRA GALVA (UG)

is a high-performant metallic coating which offers an optimum surface protection in a wide variety of aggressive and demanding environments, indoor as well as outdoor. The unique alloy of small amounts of magnesium and/or aluminium in the zinc bath provides ULTRA protection with a self-healing effect. Whilst zinc is essential for cathodic protection, magnesium prevents red rust. The passivation layer that comes on top, creates a seal that slows down the first traces of white rust.

ULTRA GALVA offers a number of advantages compared to the traditional hot dip finishing.

- the passivation layer offers a superior protection level. Hence, ULTRA GALVA, being cathodical, is self-healing in case of scratches, edges or perforations. Compared to hot dip, the articles remain very straight, no deflections appear nor flux or dull spots/ashes.
  - ULTRA GALVA can conveniently be cold-processed without any risk on flakes because of the perfect adhesion of the coating to the metal.
  - No zinc pins appear which enables one to install cables in a fast way avoiding any risk on damages to cables nor injuries of workers.
  - Thanks to the longer life span, ULTRA GALVA does not require ongoing maintenance nor post painting actions.
  - Three times less zinc is being applied compared to hot dip finishing. There is hence a lower impact on natural resources as well as less pollution. On top, its production process generates less CO<sub>2</sub> emission and ULTRA GALVA is 100% recyclable.
- ULTRA GALVA is hence a very valuable environmentally friendly alternative for the traditional stainless steel and hot-dip finishing !

#### PG

##### Sendzimir galvanized (EN 10143) PG (pre-galvanized)

Products made of Sendzimir (pre-galvanized) or continuous hot-dip galvanized steel sheet and coils are mostly used wherever limited chemical contamination is likely, for example, in offices, industrial buildings, covered parking lots, etc.

Characteristic of this steel type is that – prior to mechanical deformation – it is given a zinc coating by means of a continuous dipping process. This zinc coating is easily deformed. A cathodic action occurs on cut surfaces (up to 1.5mm) that protects against oxidation.

First, the steel is chemically cleaned and roughened in order to achieve a good bond. After the dipping process, the surplus zinc is blown off and one obtains an extra passivating coat (an ultra-thin protective coat) to prevent oxidation of the zinc coating (white rust). The coating thickness is usually expressed in g/m<sup>2</sup>. The most deployed type of Sendzimir steel is Z 275 = 275g/m<sup>2</sup> (weighed on both sides), this corresponds to 18-20 µm (micron). Sendzimir galvanized steel sourced from modern galvanizing lines has, in general, a uniform, shiny appearance. The previous, common fl owery surface is scarcely seen these days. This effect is obtained under the influence of lead but has no effect on the quality of the coating. The use of lead was banned due to the ever more stringent environmental standards.

#### DG

##### Hot-dip galvanized (EN ISO 1461) DG (dipped-galvanized)

Whenever cable support systems are exposed to the elements and/or caustic substances (such as petrochemical applications), they are given an additional treatment in the form of hot-dip galvanizing.

Hot-dip galvanizing is a materials science process designed to render the steel non-corroding. If this coating is breached, the zinc will act as a sacrificial anode, so that the iron is protected by the zinc (aka cathodic protection). During galvanization, three alloys are formed: an iron-zinc alloy, a zinc-iron alloy and also a zinc alloy. The pre-treatment of the steel is crucially important in order to achieve a good bond.

The following process steps are involved: degreasing, rinsing, pickling, re-rinsing, fluxing, drying and hot-dipping. The coating thickness depends on the steel composition, the material thickness and the time spent in the zinc bath. In the galvanizing standard NEN-EN-ISO 1461, the minimum coating thickness are prescribed (as shown in following overview), just as the zinc shrinkage per year which will depend on environmental factors (see table entitled 'Corrosion classes'). In addition, the zinc coating forms an excellent substrate for other post-treatments, such as applying a powder coating and coats of paint (better known as the duplex system).

An added advantage of hot-dip galvanizing is that along the edges and pointy bits, where objects are usually extra susceptible to corrosion, the zinc coating is thicker because of the behaviour of the liquid.

Minimum thicknesses of the zinc coating according to ISO 1461

- Using the hot-dip method

Material thickness ≥ 6 mm = min. zinc coating thickness (average) 85µm

Material thickness ≥ 3 mm to < 6 mm = min. zinc coating thickness (average) 70µm

Material thickness ≥ 1,5 mm to < 3 mm = min. zinc coating thickness (average) 55µm

Material thickness < 1,5 mm = min. zinc coating thickness (average) 45µm

- Using the drum method

Material thickness ≥ 3 mm = min. zinc coating thickness (average) 55µm

Material thickness < 3 mm = min. zinc coating thickness (average) 45µm

#### CO

**Polyester powder coating CO (coated)**

Polyester coats will be used in moderate environments where the aesthetic aspect and sustainability must go hand in hand. The distinctive property of a polyester coating is its resistance to discoloration due to sunlight.

If used in a harsher environment, it is strongly recommended to apply an epoxy coating; this is less porous and therefore more resistant to chemicals. The disadvantage of an epoxy coating, however, is the rapid discoloration. If you want the best of both worlds, use an epoxy primer with a polyester top coat.

Just as with all the treatment techniques mentioned above, a thorough pre-treatment is crucial here too.

Depending on the base material, one will, in this case, degrease, rinse, pickle, rinse again, apply a conversion coat (e.g. chrome), rinse again, rinse with demi-water and/or dry.

Field of application according to resistance against corrosion:

**Corrosion classes according EN ISO 12994**

Corrosion class	Atmospheric corrosion	Indoor environment	Outdoor environment	Surface treatments
<b>C1</b>	< 0,1µm	Heated buildings with neutral atmospheres: offices, shops, schools, hotels.		<b>Electro-galvanised (EG)</b> <b>EN ISO 2081</b>
<b>C2</b>	0,1 - 0,7µm	Unheated buildings where condensation may occur: sports halls, warehouses, shops.	Rural areas. Atmosphere with low impurities.	<b>Pre-galvanised (PG)</b> <b>EN 10327 – EN 10143</b>
<b>C3</b>	0,7 - 2µm	Production facilities with high moisture levels and some air impurities due to industrial processes: production plants.	City and industrial atmosphere, some impurities, coastal areas with low salt loads.	<b>Dipped-galvanised (DG)</b> <b>EN ISO 1461</b>
<b>C4</b>	2 - 4µm	Production facilities with high moisture levels and high air impurities due to industrial processes: swimming pools, Chemical industry.	Industrial areas and coastal areas with low salt load.	<b>Dipped-galvanised (DG)</b> <b>EN ISO 1461</b> <b>Polyester coating (CO)</b> <b>EN ISO 12944</b>
<b>C5-I</b>	4 - 8µm	Polyester coating (CO)	Industrial areas with high moisture level and aggressive atmosphere.	<b>Duplex (DU) (Dipped galvanised + Polyester coating)</b> <b>Stainless steel AISI 316L</b>
<b>C5-M</b>	4 - 8µm	EN ISO 12944	Coastal or offshore areas with salt load.	<b>Duplex (DU) (Dipped galvanised + Polyester coating)</b>

**Classification for resistance against corrosion according to IEC61537**

Class	Reference- Material and Finish
0(a)	None
1	Electroplated to a minimum thickness of 5 µm
2	Electroplated to a minimum thickness of 12 µm
3	Pre-galvanised to grade 275 to EN 10327 and EN 10326
4	Pre-galvanised to grade 350 to EN 10327 and EN 10326
5	Post-galvanised to a zinc mean coating thickness (minimum) of 45 µm according to ISO 1461 for zinc thickness only
6	Post-galvanised to a zinc mean coating thickness (minimum) of 55 µm according to ISO 1461 for zinc thickness only
7	Post-galvanised to a zinc mean coating thickness (minimum) of 70 µm according to ISO 1461 for zinc thickness only
8	Post-galvanised to a zinc mean coating thickness (minimum) of 85 µm according to ISO 1461 for zinc thickness only (usually high silicon steel)
9A	Stainless steel manufactured to ASTM: A 240/A 240M – 95a designation S30400 or EN 10088 grade 1-4301 without a post-treatment (b)
9B	Stainless steel manufactured to ASTM: A 240/A 240M – 95a designation S31603 or EN 10088 grade 1-4404 without a post-treatment (b)
9C	Stainless steel manufactured to ASTM: A 240/A 240M – 95a designation S30400 or EN 10088 grade 1-4301 with a post-treatment (b)
9D	Stainless steel manufactured to ASTM: A 240/A 240M – 95a designation S31603 or EN 10088 grade 1-4404 with a post-treatment (b)
(a) For materials which have no declared corrosion resistance classification.	
(b) The post-treatment process is used to improve the protection against crevice crack corrosion and the contamination by other steels.	