

OMEGA BRACKETS

BY TRAYCO®



QUICK ASSEMBLY



ECONOMIC

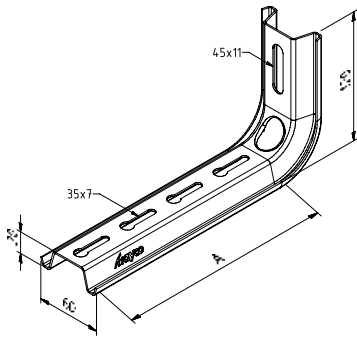


TOP QUALITY

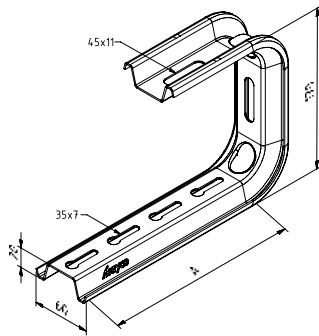


**MORE INFORMATION ON
WWW.TRAYCO.BE**

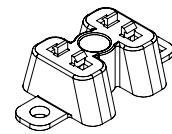
PVC protection caps
for additional safety



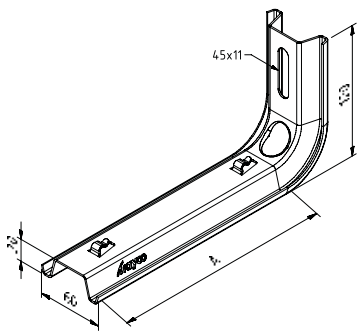
LBO120-UG



CBO170-UG

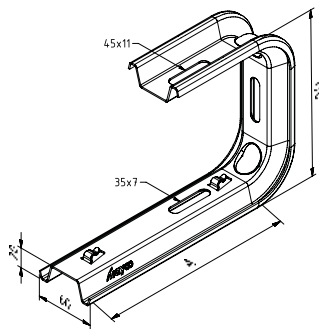


FPO-PVC



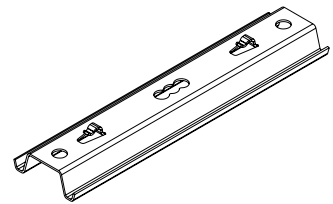
MT-LBO120-UG

- MT and MTL
- clippable



MT-CBO170-UG

- MT and MTL
- clippable



MT-FWSBO-UG



**CHECK OUT
ALL MOUNTING
SYSTEMS** on
www.trayco.be